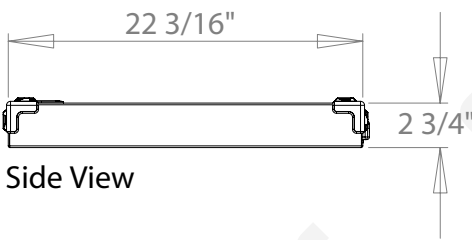
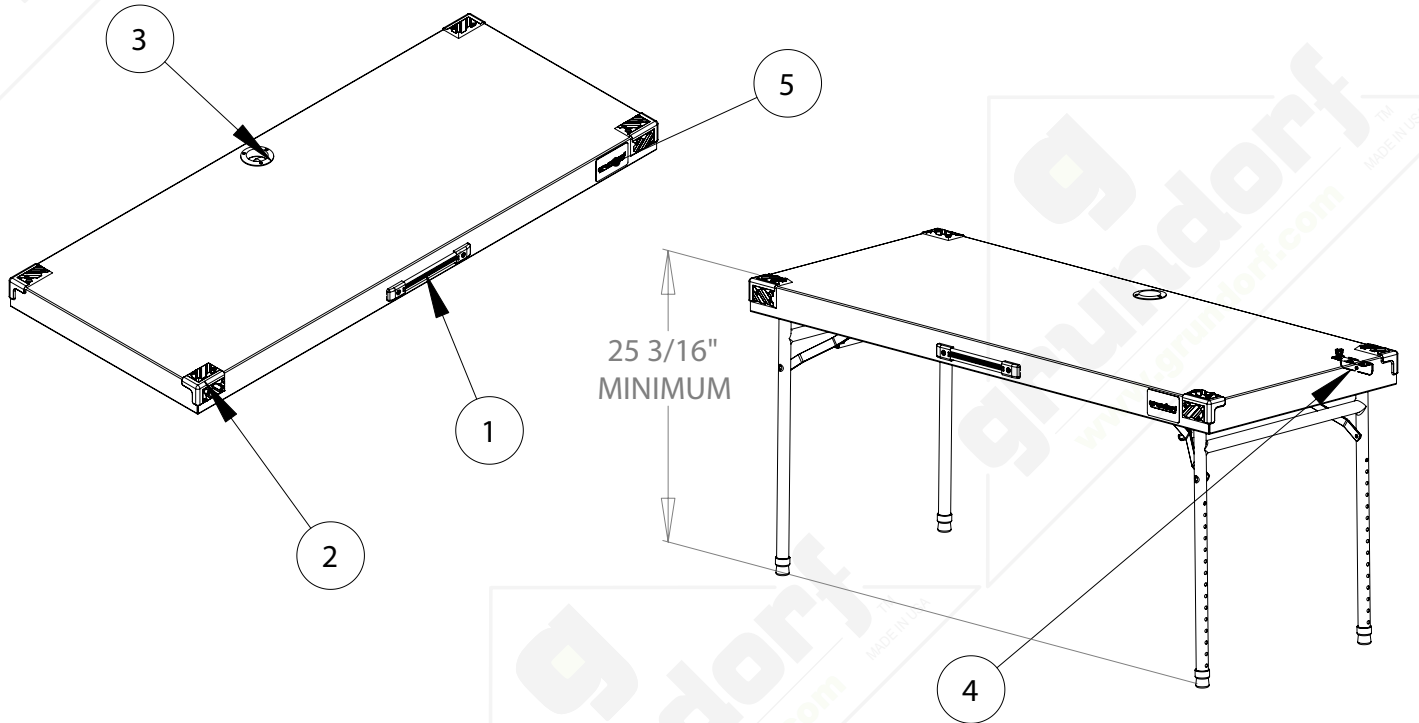
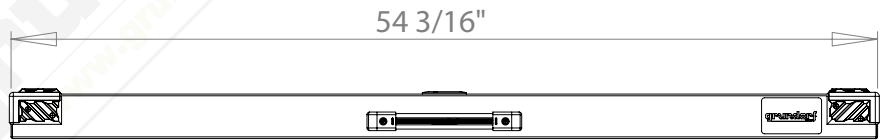


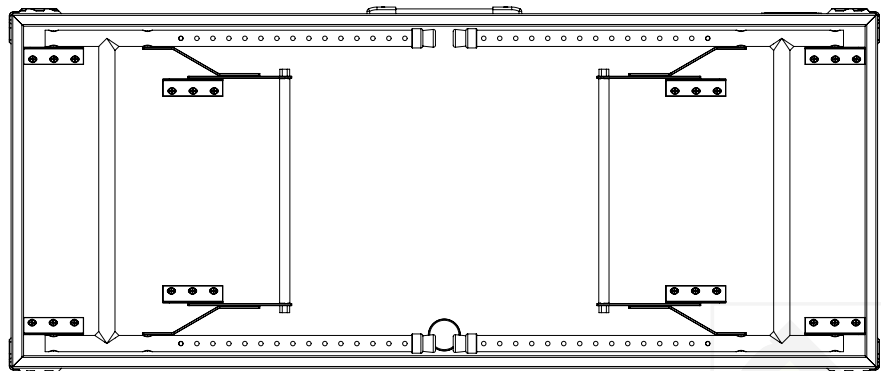
| # | QTY | PART NUMBER | DESCRIPTION                           |
|---|-----|-------------|---------------------------------------|
| 1 | 1   | 31-016      | HANDLE - STRAP W/LOGO/NICKEL E        |
| 2 | 4   | 32-002      | CORNER - LARGE BLACK PLASTIC STACKING |
| 3 | 1   | 39-002      | PORT HOLE - 2" PLASTIC/W LIP/B        |
| 4 | 2   | 43-002      | TABLE LEG - ADJUSTABLE STYLE          |
| 5 | 1   | 83-010      | BADGE - PRO SERIES                    |



Side View



Front View



Bottom View